

# SMARTair® *i-max*

## Euro profile

### Pro Wireless Online & Openow

**MAUER**  
**ASSA ABLOY**









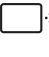




**SMARTAIR®**  
Your Access. Your Control.

Experience a safer  
and more open world

A renewed electronic escutcheon with higher robustness passing the EN1906 Category of use Grade 4 standard. Including a new design of the reader with a sophisticated warning LED. *i-max* keeps all security components on the internal side of the door. It is suitable for all type of doors equipped with traditional mortise locks and it offers special solutions for glass doors and emergency exit doors. Easy installation without any wiring. Making it the perfect solution for offices, classrooms, meeting rooms, laboratories, etc. Avoiding mechanical keys and getting full access control functionality.



#### Technical data - SMARTair® *i-max*

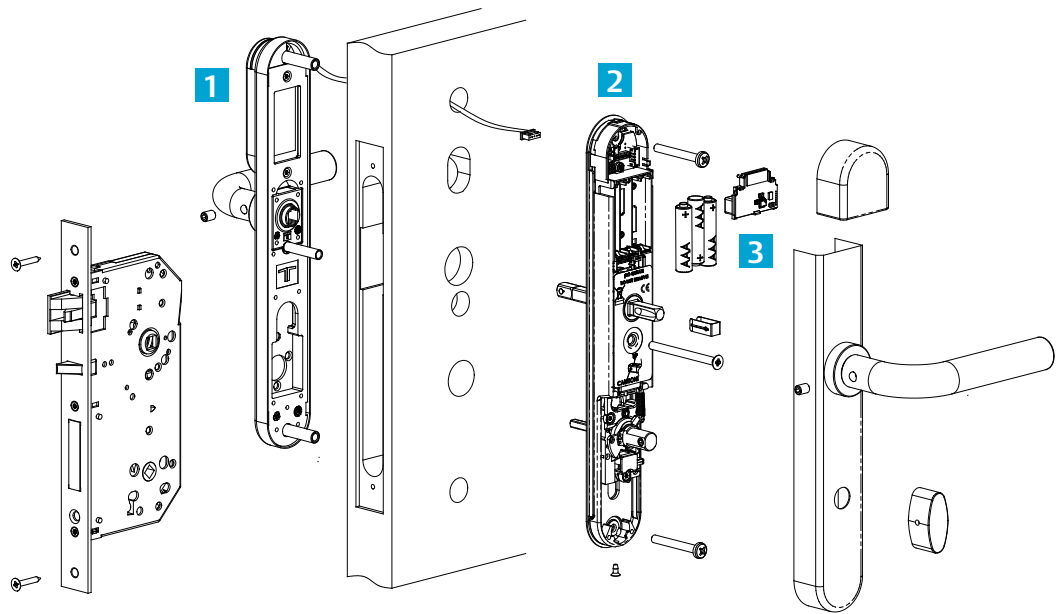
|  |  |   |
|--|--|---|
|    | <b>Door profiles</b>                           | Suitable for wooden, narrow or glass doors  |
|   | <b>Traffic volume</b>                          | Medium to high  |
|  | <b>Exterior usage</b>                          | IP56 (Extreme version)<br>Up to 85% humidity<br>-20°C to +70°C  |
|  | <b>Hardware compatibility and installation</b> | High retrofit (compatible with most common mortise locks)<br>Drilling, no cabling<br>Doors from 30mm up to 120mm (thicker doors may be possible on demand)  |
|  | <b>Power supply</b>                            | Battery (from 75.000 to 105.000 cycles)* max. 2 years standby**<br>Type of batteries: 3 LR03 AAA 1.5V alkaline batteries  |
|  | <b>Multi-authentication</b>                    | Yes<br>(Card + PIN, PIN only, Card only)  |
|  | <b>Status information</b>                      | Internal handle usage alert<br>Internal thumb-turn use recorded (only in models with electronic privacy)<br>Door position alert: connection for door sensor included (NO normally open). Door sensor not included<br>Mechanical opening recorded (in combination with a special mortise lock) |
|  | <b>Certifications</b>                          | CE (EMC, R&TTE), ROHS, REACH, WEE, EN1634 (Fire)<br>EN1906 Category of use Grade 4  |
|  | <b>RFID technologies</b>                       | HID iCLASS®<br>MIFARE Classic and Ultralight<br>SKIDATA<br>DESFire  |
|  | <b>Compatible mobile solutions</b>             |  Openow (Bluetooth Low Energy)<br> TESA SMARTair (Remote opening app)   |
|  | <b>System management upgradability</b>         | SMARTair® escutcheons can be upgradeable from Standalone > Offline / Update On Card > Wireless Online by:<br>· Adding RF module<br>· Firmware upgrade<br>· Change of internal cover (plastic top)   |

\* Depending on reading technology (MIFARE, iCLASS etc.):

\*\* Depending on cycles per day.

# Electronic Technical Characteristics

SMARTair *i-max* has the reader module on the external escutcheon and the control and battery module on the internal escutcheon. It also includes by default the necessary RF module for wireless and the necessary BLE module for Openow mobile solution.



## 1 Reader Module

- 13,56MHz RFID Technology. Just changing the firmware the electronic escutcheon will work with one of the available reading technologies: MIFARE Classic (or Ultralight), HID iCLASS or DESFire.
- Activation mode. The electronic escutcheon will wake up just by approaching the credential. Without the need to make any previous action.
- Reading distance. 2-4cm. Given by the identification technology.
- Warning LED. Blue or red lights for different warning actions: granted access, access denied, low battery level, etc.
- Connection to the programming device. Through a special cable with three pins. Necessary to initialize the escutcheon and to make emergency openings (in case of low battery level and when there is not mechanical key override).

## 2 Control unit and battery module

- Non-volatile memory.
- Up to 3.000 users and 1.200 events.
- Real time clock and calendar. Up to 30 time zones with five different periods during the day. Weekdays and weekends automatically recognized. 365 days calendar to define holidays. DST's automatically updated through the calendar.
- Battery module. Easy battery change. Maintains clock and calendar for 5 minutes without batteries. The battery status reported on every event or once per day if no events happen.

## Operation modes

Possibility to create state tables in the software, to define automatic changes in the doors (during the day) of the following operation modes:

- Passage mode: The door is open. This operation mode can be established automatically or manually by authorized users.
- First user: The door is closed until the first user with authorized access opens the door. After that operation, the door will remain in passage mode (open).

- Standard: The door is closed and a user with authorized access must approach its credential to open the door.
- Double user: The door is closed and two users with authorized access must approach their credentials to open the door.
- In models with keypad also: Keypad only: the users will enter a door code in the keypad to open the door. Card + PIN: the users must approach the card and after enter their PIN into the keypad to open the door. PIN + Card: the users must enter their PIN into the keypad and after approach their card to open the door.

## Special features

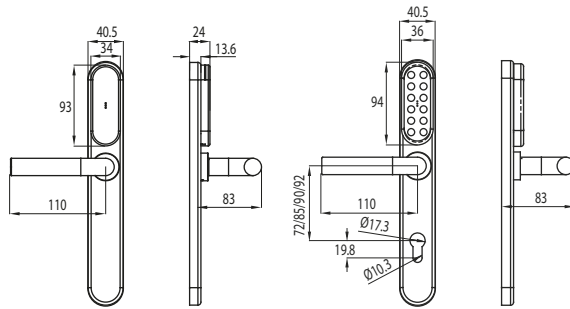
- Standard or ADA users. Standard opening time from one to 15 seconds. ADDA users will have double time.
- High traffic doors: for unlimited number of users.
- Internal handle detection to detect if a user is leaving the room.
- Electronic privacy with internal thumb turn (to deny access to open the door when a user is inside and has activate the electronic privacy).
  - Privacy overrides passage (optional)
- Door position through a door sensor (not included).
- Mechanical key override detection (with a special mortise lock)

## 3 Mobile solutions (Openow/Remote TESA SMARTair App)

The electronic escutcheons always include the RF module valid for wireless communication and mobile solutions.

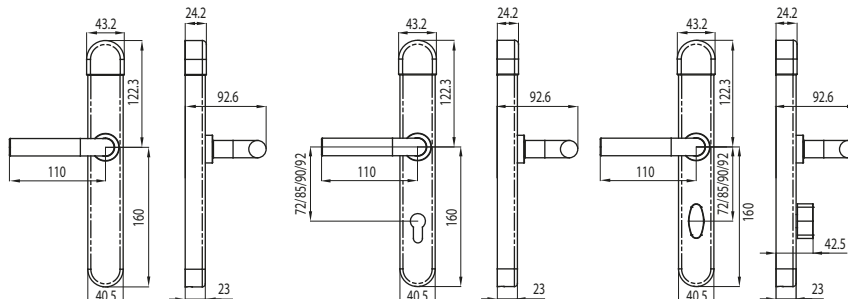
- For Openow solution it is necessary to activate the Openow functionality in the software license.
- For TESA SMARTair remote opening app it is necessary to activate the functionality in the software license.

The internal cover is metallic plus plastic.



Ext. Escutcheon (LS1)

Ext. Escutcheon with keypad (L2V/L3V)



Int. Escutcheon (L1S)

Int. Escutcheon with mech. cylinder (L3V)

Int. Escutcheon with privacy (L5S/L8V)

## Mechanical Technical Characteristics

### External escutcheon

- Not handed.
- Freewheeling handle when the door is close.
- Turns 60° up and down (valid for lift & lock mortise locks).

### Internal escutcheon

- Panic function. The internal handle always opens the door.
- The electromechanical clutch works with a special split spindle.
- The spindle has different lengths according the door width.
- From 30mm to 110mm door width.

### Mortise lock (not included)

- Compatible with any euro profile mortise lock.
- Pass through follower is required.
- Distance between axes from 70mm to 105mm.
- 7mm, 8mm or 9mm spindle.

## Handles and finishes



More models available. Please consult.

## i-max Models

### Euro profile without electronic privacy

With any euro profile mortise lock.

- 7mm, 8mm or 9mm spindle.
- Distance between axes from 70mm to 105mm.
- L1S Model. Without mechanical key override (blind).
- L2V/L2O Model. With half mechanical key override (visible/hidden).
- L3V/L3O Model. With double mechanical key override (visible/hidden).

### Euro profile with electronic privacy

With any euro profile mortise lock.

- 7mm, 8mm or 9mm spindle.
- Distance between axes from 70mm to 105mm.
- L5S Model. Without mechanical key override.
- L8V Model. With visible mechanical key override.
- L8O Model. With hidden mechanical key override.

### Euro profile with electronic and mechanic privacy

This model requires a special mortise lock and cylinder from TESA.

- 8mm spindle.
- 85mm distance between axes.
- L5S Model. Without mechanical key override.
- L8V Model. With visible mechanical key override.
- L8O Model. With hidden mechanical key override.



The ASSA ABLOY Group is the global leader in access solutions. Every day, we help billions of people experience a more open world.

ASSA ABLOY Opening Solutions leads the development within door openings and products for access solutions in homes, businesses and institutions. Our offering includes doors, door and window hardware, locks, access control and service.

**MAUER**

**ASSA ABLOY**

Mauer Nederland BV  
Spaceshuttle 23  
3824 ML Amersfoort  
Nederland  
Tel: 00 31 (0)33 455 0900  
[www.mauerlocks.com](http://www.mauerlocks.com)  
[sales@mauerlocks.com](mailto:sales@mauerlocks.com)